

45-PLT

PORTABLE LIGHT TOWER

PRELIMINARY
VERSION



STANDARD SPECIFICATIONS

Performance

Weight	33 Kg (72 lb)
Dimensions Closed	1.200 x 0.32 x 0.40 m
Dimensions Full Deployed	4.400 x 0.22 x 0.22 m
Max elevated mast	4.4 m
Wind speed rating resistance	30 m/s
Working temperature	-30 to + 50 C°
Operating voltage	100 to 240 VAC 50Hz/60Hz
Power connector	Schuko
IP Rating	IP65 (Power-plug:IP44)
Certification	CE/BIS

Flood lights

Lights	LED
LED Color temperature	6000 Kelvin
Luminous flux	20 - 45.000 Lumen
LED Panel	6 x 50 Watt
Power consumption	15 to 320 Watt (Dimmable)
Lighting Area	4600 m ² / 50.000 ft ²
Light Spread	180 - 360 degree
Light source lifetime	50.000 Hours

Mast

Mast Operation	Manual
Mast Sections	6 sections with individual locking
Lighthouse Tilt	30° TBC
Lighthouse Rotate	60° (+30°/-30°) TBC



KEY SPECS

Mast

Manual adjustable mast up to 4.3 m

Weight

33 Kg (72 lb)

Light

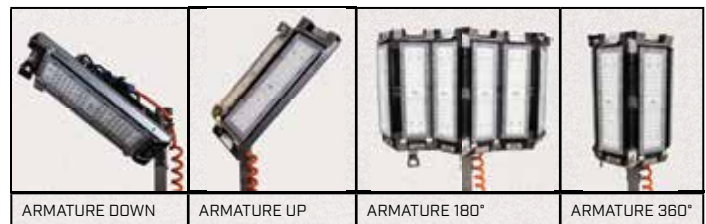
Dimmable LED up to 45.000 lumen

Lightning Area

4.600 m²

KEY FEATURES

- Portable all in one light tower.
- Low Energy cost due highly efficient LED Lamps.
- Safe and quick one-man operation.
- Limited deployment space.
- Robust but lightweight design with low maintenance cost.
- Water and Dust prove to handle the most demanding environments.
- In and Outdoor usage.
- Easy handling due to compact size and transport wheels.



STANDARD FEATURES

- Maintenance free telescopic mast
- High strength Aluminum chassis and Fiber-reinforce plastic parts.
- IP65 COB Led Technology with high quality optical lenses.
- Enclosure mounted led drivers with Dimmable feature.
- Tiltable and Rotatable Light Armature
- Adjustable Light Pattern from 360-degree to 180-degree width screen
- Adjustable legs with 'snow feet' for leveling unit of uneven terrain.
- Coiled mast cord.
- Ceramic coated chassis parts and high quality stainless steel component.

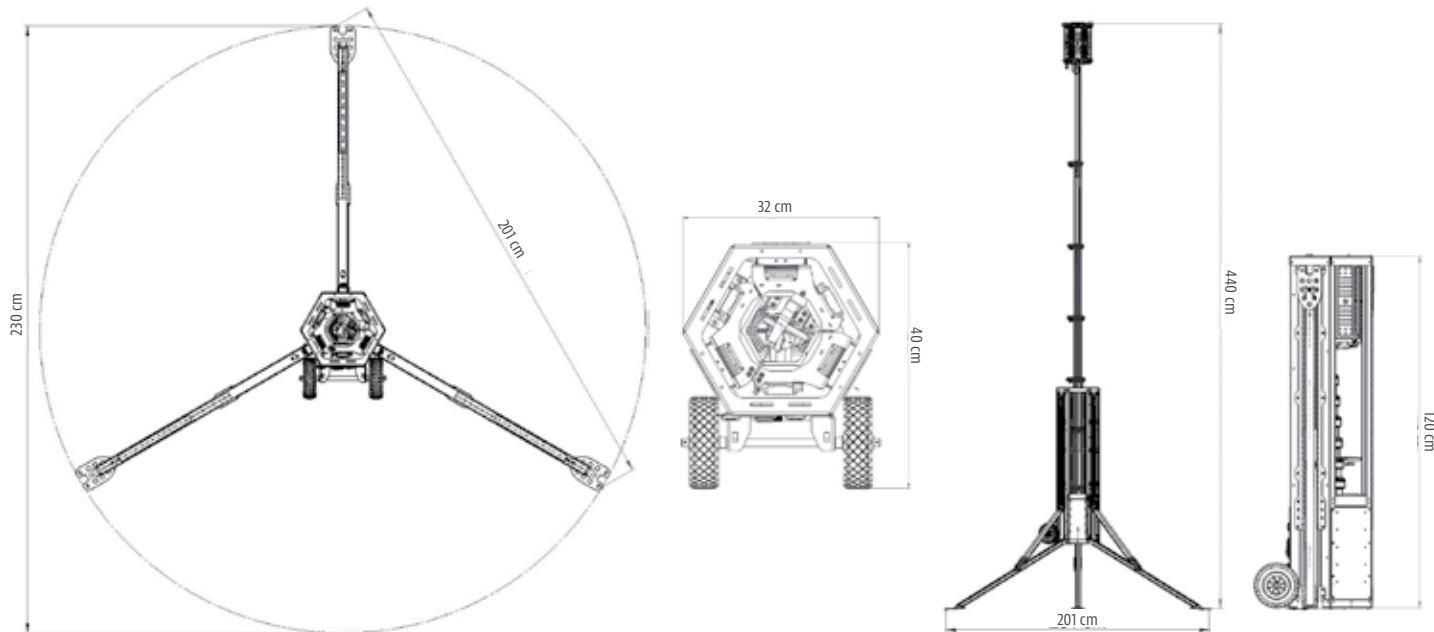
45-PLT

PORTABLE LIGHT TOWER

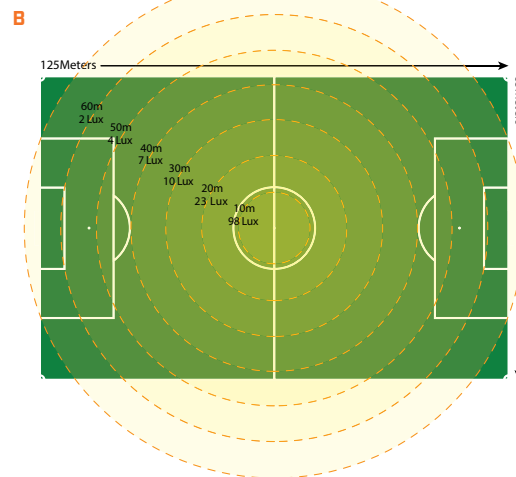
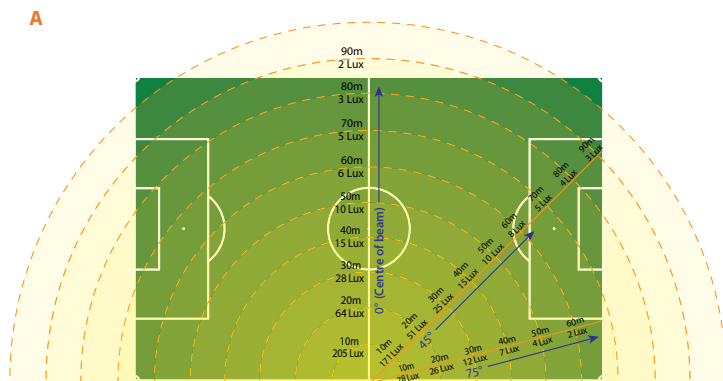
PRELIMINARY
VERSION



DIMENSIONS



LIGHT DISTRIBUTION



- A. Max output LUX-values MODE: 180° spread
- B. Max output LUX-values MODE: 360° spread



IMPORTANT

JLG is continually researching and developing products and reserves the right to make modifications without prior notice. All data in this document is indicative. Certain options or country standards will increase weight. Specifications may change to meet country standards or with the addition of optional equipment.

Due to continuous product improvements, JLG Industries reserves the right to make specification and/or equipment changes without prior notification.

JLG Industries (Australia)
358 Park Road
Regents Park, NSW 2143
Telephone 02 8718 6300
Fax 02 8718 6377
www.jlg.com.au

An Oshkosh Corporation Company